



**COMPONENTS**

- Material: Food approved high density polyethylene
- Standard Color: White (Other colors on request)
- Molded in plastic hand grip
- Pour spouts available
- Gasket: EPDM (Ethylene Propylene Diene Monomer)

**WALL THICKNESS**

	cm	inch
• Pail	.201	.079
• Gasket Lid (656)	.203	.080
• Snap-On Lid (642)	.170	.067

**STANDARD WEIGHT (+/- 2%)**

	g	lb.
• Pail (including hand grip)	948	2.09
• Gasket Lid (656) (including gasket)	282	0.62
• Snap On Lid (642)	182	0.40

**THERMAL RESISTANCE** (Tested with water)

• Filling	from -38°C (-36°F) to 82°C (180°F)
• Warehousing	from -40°C (-40°F) to 39°C (102°F)

**TOP LOADING RESISTANCE**

	kg	lb.
• With Gasket Lid	229	504
• With Snap-On Lid	140	308

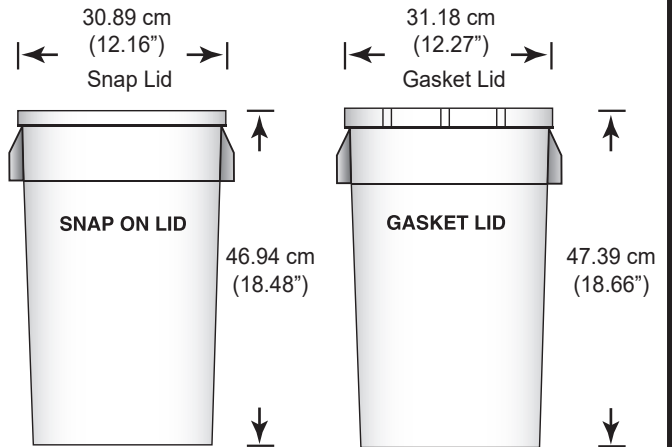
**CAPACITIES**

VOLUME	Litres	GALLONS	
		Imp.	U.S.
Nominal	22.75	5.00	6.01
Maximum to Overflow	25.85	5.69	6.83
Maximum with Gasket Lid	24.60	5.41	6.50
Maximum with Snap-On Lid	24.95	5.49	6.59

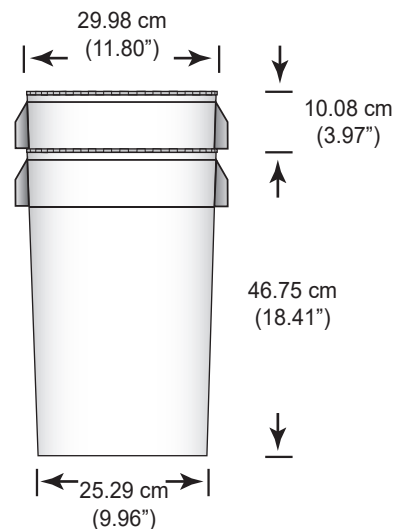
PRODUCT DENSITY g/cm <sup>3</sup>	Maximum Weight Filled with Lid			
	GASKET LID		SNAP-ON LID	
	kg	lb	kg	lb
0.5	12.91	28.41	13.04	28.68
0.6	15.50	34.09	15.65	34.42
0.7	18.08	39.77	18.25	40.16
0.8	20.66	45.45	20.86	45.89
0.9	23.24	51.14	23.47	51.63
1.0	25.83	56.82	26.08	57.37
1.1	28.41	62.50	28.68	63.10
1.2	30.99	68.18	31.29	68.84
1.3	33.57	73.86	33.90	74.58
1.4	36.16	79.54	36.51	80.31
1.5	38.74	85.23	39.11	86.05

Above is a guideline only.  
Customer should verify with specific product to be packaged.

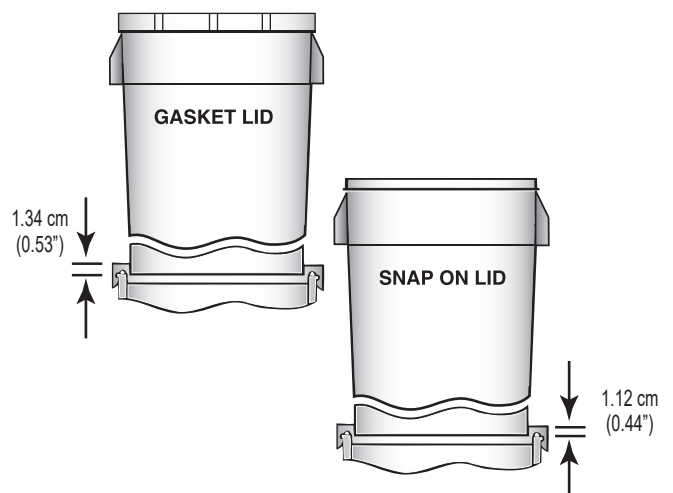
**5 IMP. GALLON HAND GRIP CONTAINER**



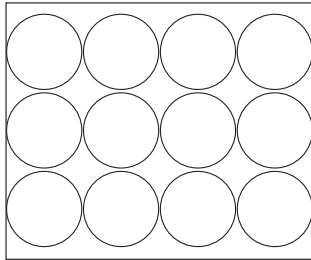
**NESTING**



**STACKING**



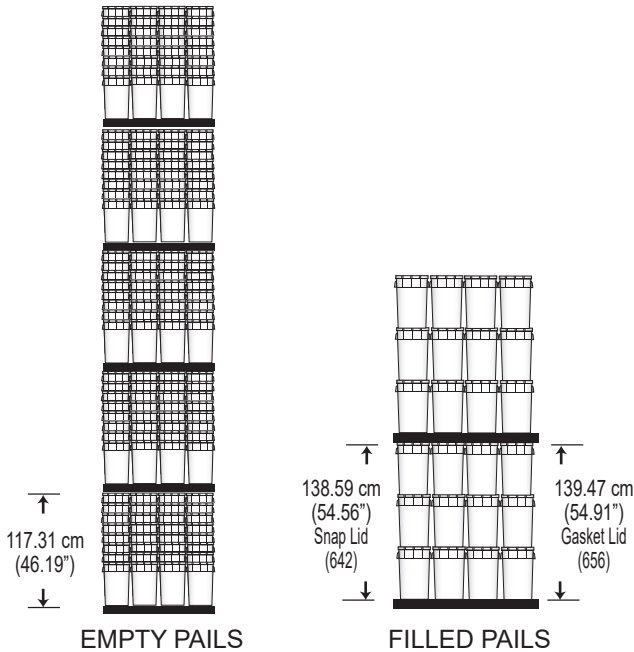
**PALLET UTILIZATION**



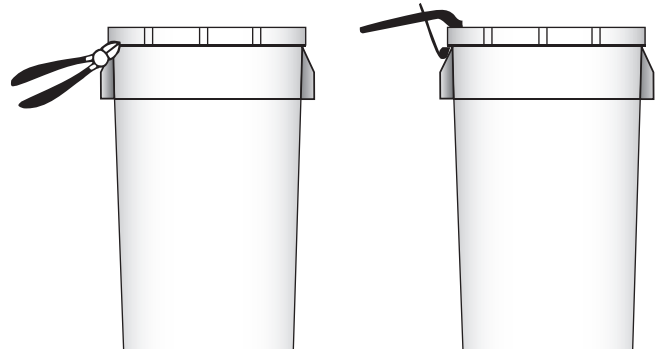
**122 cm x 102 cm**  
**(48" x 40")**

**IMPORTANT: Never let pails overlap edge of pallet**

**RECOMMENDED STACKING HEIGHT**



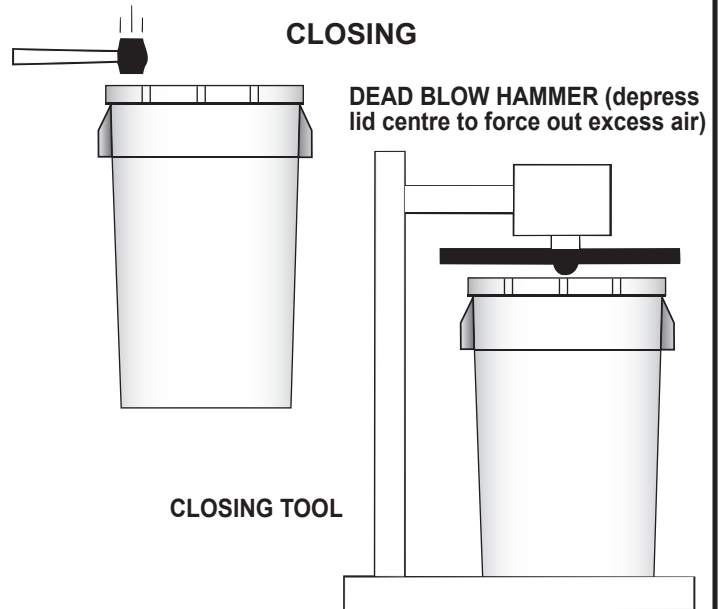
**OPENING**



**Cutters**

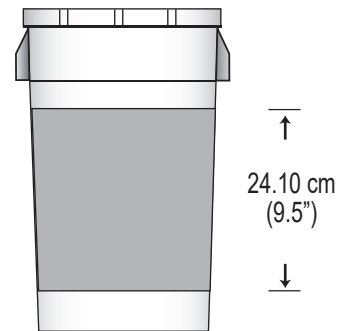
**Lid lifter**

**CLOSING**



**PRINTING**

**DRY OFFSET PRINTING (UP TO MAXIMUM 4 PANTONE COLORS)**



**SHIPPING DATA**

Quantity	750 PAIL	SNAP LID <sup>642</sup>		GASKET LID <sup>656</sup>	
	96/pallet	60/box	600/plt	40/box	240/plt
Dimensions*	49.75" x 37.75" x 46.50"	25.75" x 13.00" x 22.50"	49.75" x 37.75" x 36.00"	25.75" x 13.00" x 20.25"	49.75" x 37.75" x 18.00"
Volume	50.54 cu. ft.	4.36 cu. ft.	39.13 cu. ft.	3.92 cu. ft.	19.56 cu. ft.
Weight**	92.51 kg 203.52 lbs	11.92 kg 26.22 lbs	110.70 kg 243.54 lbs	12.13 kg 26.69 lbs	69.18 kg 152.20 lbs

\* AND \*\* DOES NOT INCLUDE WOODEN PALLET  
\*\*\* BASED ON GASKET LID WITHOUT FITTINGS

**APPROVALS**

Pro-Western Plastics Ltd. disclaims any liability for the use of the information and data contained herein. We reserve the right to alter or modify any product and/or specification, at any time.