



COMPONENTS

- Material: Food approved high density polyethylene
- Standard Color: White (Other colors on request)
- Plastic Fingergrip Handle
- Pour spouts available
- Gasket: EPDM (Ethylene Propylene Diene Monomer)

WALL THICKNESS

	cm	inch
• Pail	.188	.074
• Gasket Lid (654)	.183	.072
• Snap On Lid (624)	.155	.061
• Snap On Tear Tab Lid (623)	.155	.061

STANDARD WEIGHT (+/- 2%)

	g	lb.
• Pail (including handle)	655	1.44
• Gasket Lid (654) (includes gasket)	195	0.43
• Snap On Lid (624)	129	0.28
• Snap On Tear Tab Lid (623)	146	0.32

THERMAL RESISTANCE (Tested with water)

- Filling from -38°C (-36°F) to 82°C (180°F)
- Warehousing from -40°C (-40°F) to 39°C (102°F)

TOP LOADING RESISTANCE

	kg	lb.
• With Gasket Lid (654)	180	396
• With Snap On Lid (624)	112	246
• With Snap On Tear Tab Lid (623)	112	246

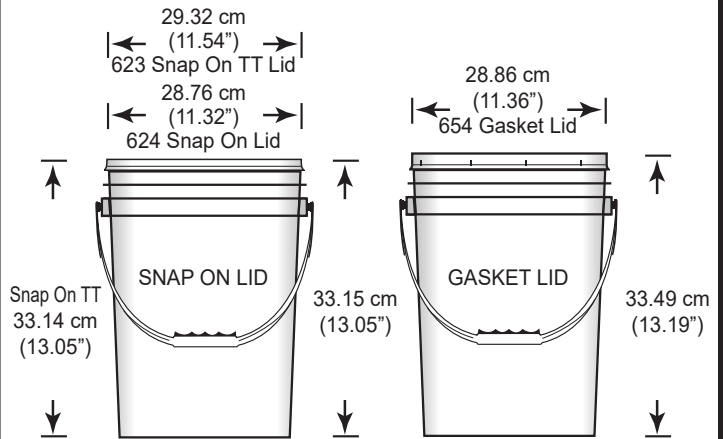
CAPACITIES

VOLUME	LITRES	GALLONS	
		IMP.	U.S.
Nominal	15.00	3.30	3.96
Maximum to Overflow	16.32	3.59	4.31
Maximum with Gasket Lid	15.57	3.42	4.11
Maximum with Snap On Lid	15.67	3.45	4.14
Maximum with Snap On TT Lid	15.72	3.46	4.15

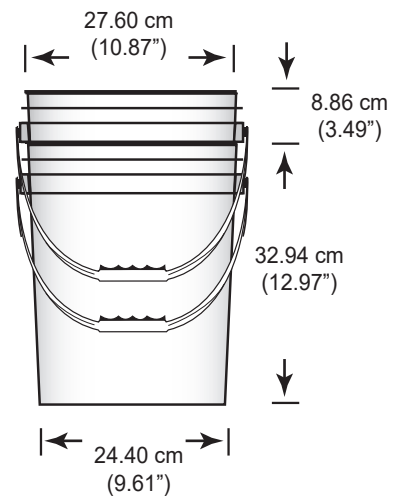
Product Density g/cc	Maximum Weight Filled with Lid					
	GASKET LID		SNAP ON 624		SNAP ON TT 623	
	kg	lb	kg	lb	kg	lb
0.5	8.21	18.06	8.23	18.10	8.26	18.17
0.6	9.85	21.67	9.87	21.72	9.91	21.81
0.7	11.49	25.29	11.52	25.34	11.56	25.44
0.8	13.14	28.90	13.16	28.96	13.22	29.08
0.9	14.78	32.51	14.81	32.58	14.87	32.71
1.0	16.42	36.12	16.45	36.20	16.52	36.35
1.1	18.06	39.74	18.10	39.82	18.17	39.98
1.2	19.70	43.35	19.74	43.44	19.83	43.62
1.3	21.35	46.96	21.39	47.06	21.48	47.25
1.4	22.99	50.57	23.04	50.68	23.13	50.88
1.5	24.63	54.19	24.68	54.30	24.78	54.52

Above is a guideline only.
Customer should verify with specific product to be packaged.

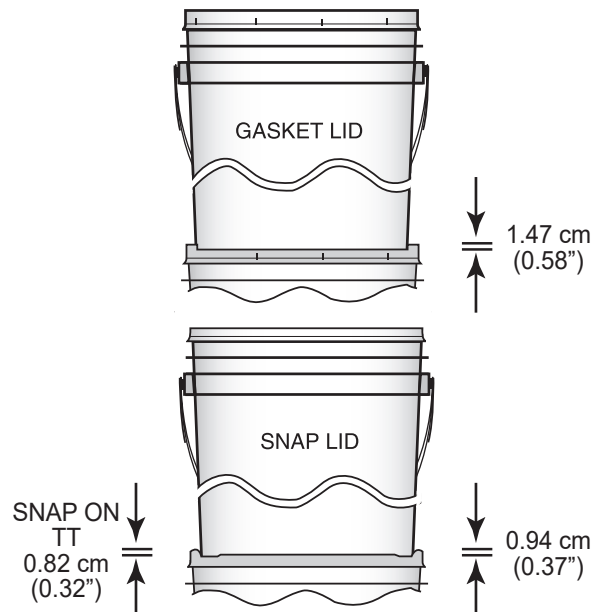
LIGHTWEIGHT 15 LITRE CONTAINER



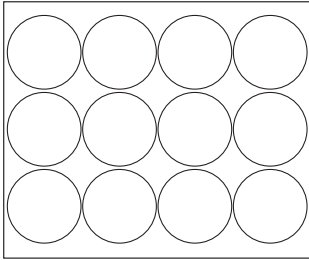
NESTING



STACKING



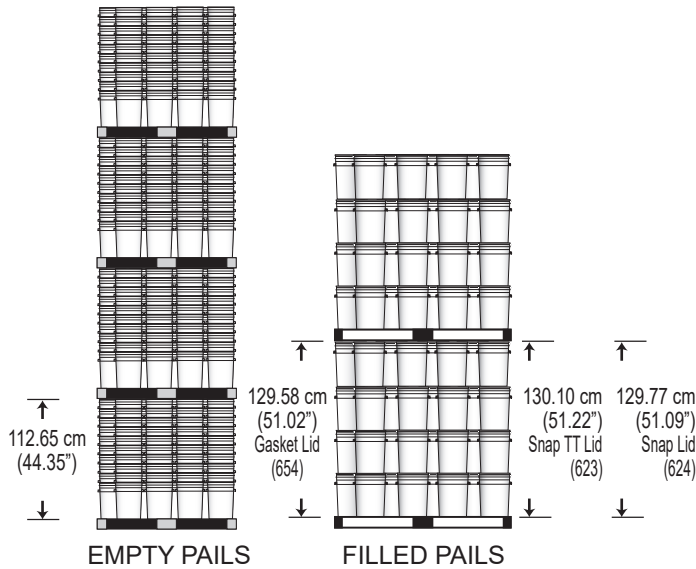
PALLET UTILIZATION



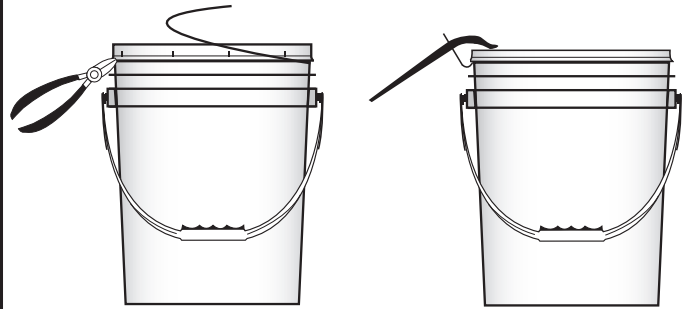
122 cm x 102 cm
(48" x 40")

IMPORTANT: Never let pails overlap edge of pallet

RECOMMENDED STACKING HEIGHT



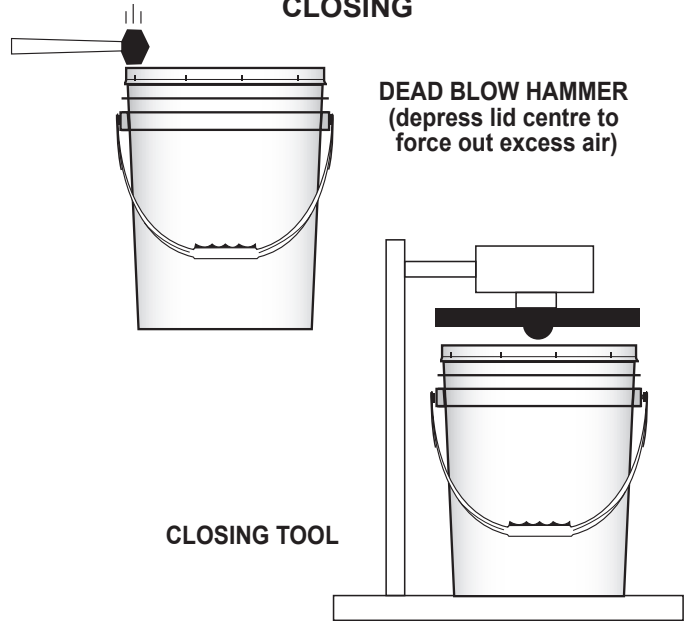
OPENING



Cutters

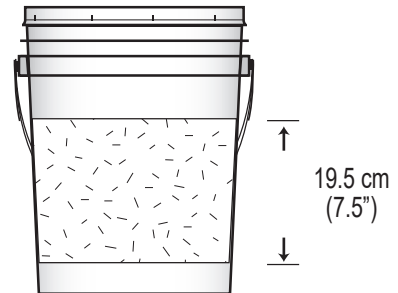
Lid lifter

CLOSING



PRINTING

DRY OFFSET PRINTING (UP TO MAXIMUM 4 PANTONE COLORS)



SHIPPING DATA

	733 PAIL		SNAP ON (624)		SNAP ON TT (623)		GASKET (654)	
Quantity	150/plt	100/box	600/plt	90/box	600/plt	50/box	300/plt	
Dimensions*	49.25" x 41.25" x 44.75"	25.75" x 13.00" x 22.50"	46.00" x 41.50" x 18.00"	25.75" x 13.00" x 22.50"	50.50" x 42.50" x 19.50"	25.75" x 13.00" x 20.25"	46.00" x 41.50" x 14.75"	
Volume	52.61 cu. ft.	4.36 cu. ft.	19.89 cu. ft.	4.36 cu. ft.	24.22 cu. ft.	3.92 cu. ft.	16.29 cu. ft.	
Weight**	100.25 kg 220.55 lbs	13.90 kg 30.58 lbs	78.90 kg 173.58 lbs	14.14 kg 31.11 lbs	89.60 kg 197.12 lbs	10.60 kg 23.32 lbs	60.00 kg 132.00 lbs	

* AND ** DOES NOT INCLUDE WOODEN PALLET

NOTE: pallets are wrapped up in a protective stretch film.

APPROVALS

Pro-Western Plastics Ltd. disclaims any liability for the use of the information and data contained herein. We reserve the right to alter or modify any product and/or specification, at any time.