



COMPONENTS

- Material: Food approved high density polyethylene
- Standard Color: White (Other colors on request)
- Plastic Fingergrip Handle
- Pour spouts available
- Gasket: EPDM (Ethylene Propylene Diene Monomer)

WALL THICKNESS

| | cm | inch |
|---------------------|------|------|
| • Pail | .185 | .073 |
| • Gasket Lid (656) | .203 | .080 |
| • Snap-On Lid (642) | .170 | .067 |

STANDARD WEIGHT (+/- 2%)

| | g | lb. |
|----------------------|-----|------|
| • Pail (with handle) | 618 | 1.36 |
| • Gasket Lid (656) | 282 | 0.62 |
| • Snap On Lid (642) | 185 | 0.41 |

THERMAL RESISTANCE (Tested with water)

- Filling from 38°C (-36°F) to 82°C (180°F)
- Warehousing from -40°C (-40°F) to 39°C (102°F)

TOP LOADING RESISTANCE

| | kg | lb. |
|--------------------|-----|-----|
| • With Gasket Lid | 250 | 550 |
| • With Snap On Lid | 139 | 306 |

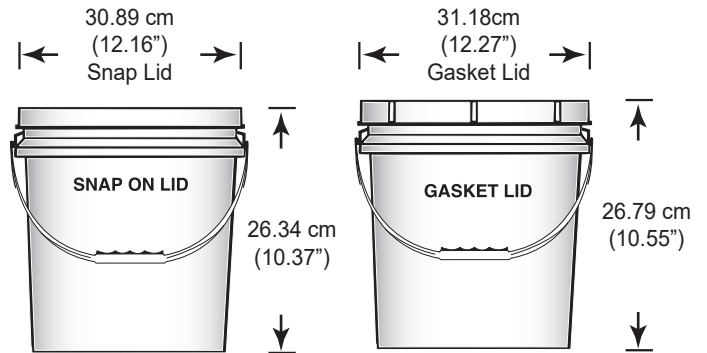
CAPACITIES

| VOLUME | Litres | GALLONS | |
|--------------------------|--------|---------|------|
| | | Imp. | U.S. |
| Nominal | 13.25 | 2.91 | 3.50 |
| Maximum to Overflow | 14.88 | 3.27 | 3.93 |
| Maximum with Gasket Lid | 13.63 | 3.00 | 3.60 |
| Maximum with Snap-On Lid | 13.98 | 3.07 | 3.69 |

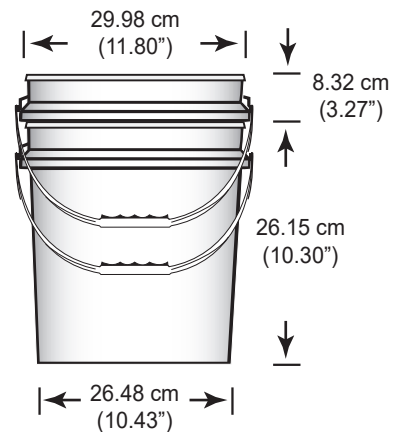
| PRODUCT DENSITY g/cm ³ | Maximum Weight Filled with Lid | | | |
|--------------------------------------|--------------------------------|-------|-------------|-------|
| | GASKET LID | | SNAP-ON LID | |
| | kg | lb | kg | lb |
| 0.5 | 7.26 | 15.98 | 7.39 | 16.26 |
| 0.6 | 8.72 | 19.18 | 8.87 | 19.51 |
| 0.7 | 10.17 | 22.37 | 10.35 | 22.76 |
| 0.8 | 11.62 | 25.57 | 11.82 | 26.01 |
| 0.9 | 13.08 | 28.77 | 13.30 | 29.27 |
| 1.0 | 14.53 | 31.96 | 14.78 | 32.52 |
| 1.1 | 15.98 | 35.16 | 16.26 | 35.77 |
| 1.2 | 17.43 | 38.35 | 17.74 | 39.02 |
| 1.3 | 18.89 | 41.55 | 19.22 | 42.27 |
| 1.4 | 20.34 | 44.75 | 20.69 | 45.53 |
| 1.5 | 21.79 | 47.94 | 22.17 | 48.78 |

Above is a guideline only.
Customer should verify with specific product to be packaged.

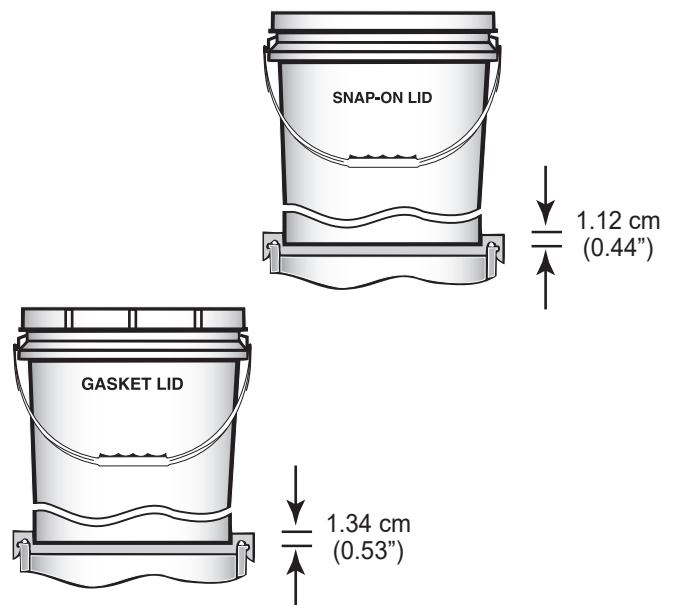
3.5 U.S. GALLON HEAVY WALL CONTAINER



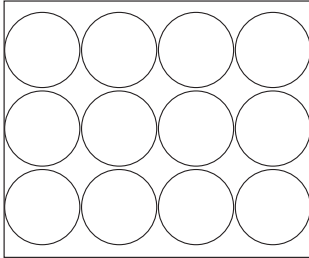
NESTING



STACKING



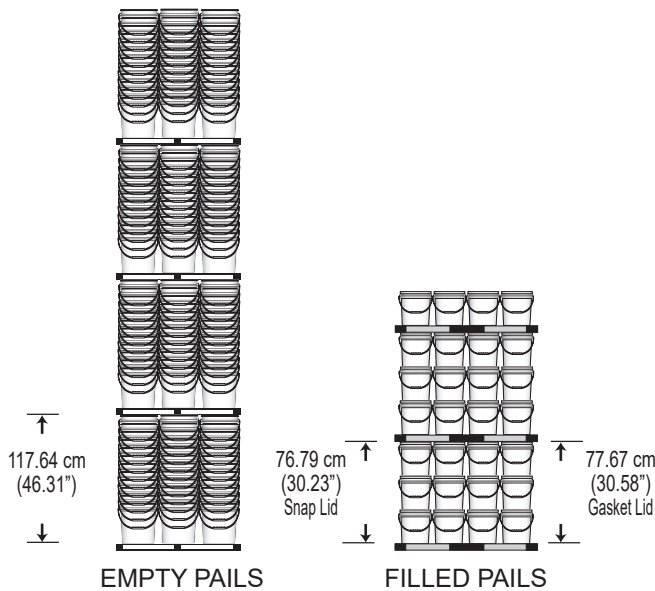
PALLET UTILIZATION



122 cm x 102 cm
(48" x 40")

IMPORTANT: Never let pails overlap edge of pallet

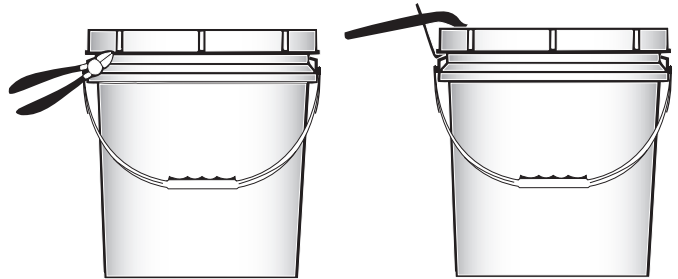
RECOMMENDED STACKING HEIGHT



EMPTY PAILS

FILLED PAILS

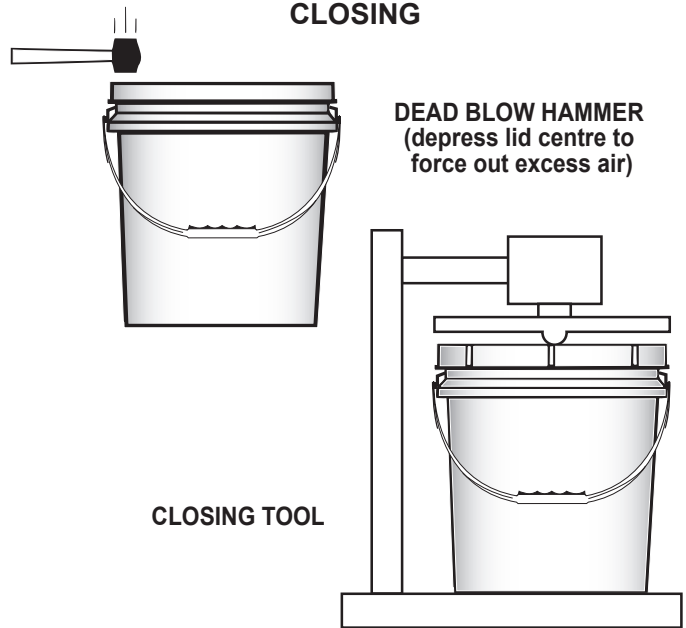
OPENING



Cutters

Lid lifter

CLOSING

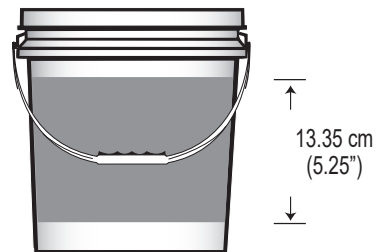


CLOSING TOOL

DEAD BLOW HAMMER
(depress lid centre to force out excess air)

PRINTING

DRY OFFSET PRINTING (UP TO MAXIMUM 4 PANTONE COLORS)



SHIPPING DATA

| Quantity | 727 PAIL | SNAP LID ⁶⁴² | | GASKET LID ⁶⁵⁶ | |
|-------------|--------------------------|--------------------------|--------------------------|---------------------------|--------------------------|
| | 144/pallet | 60/box | 600/plt | 40/box | 240/plt |
| Dimensions* | 49.75" x 37.75" x 46.75" | 25.75" x 13.00" x 22.50" | 49.75" x 37.75" x 36.00" | 25.75" x 13.00" x 20.25" | 49.75" x 37.75" x 18.00" |
| Volume | 50.81 cu. ft. | 4.36 cu. ft. | 39.13 cu. ft. | 3.92 cu. ft. | 19.56 cu. ft. |
| Weight** | 90.49 kg 199.08 lbs | 12.10 kg 26.62 lbs | 112.50 kg 247.50 lbs | 12.13 kg 26.69 lbs | 69.18 kg 152.20 lbs |

* AND ** DOES NOT INCLUDE WOODEN PALLET
*** BASED ON GASKET LID WITHOUT FITTINGS

APPROVALS

Pro-Western Plastics Ltd. disclaims any liability for the use of the information and data contained herein. We reserve the right to alter or modify any product and/or specification, at any time.