



COMPONENTS

- Material: Food approved high density polyethylene
- Standard Color: White (Other colors on request)
- Plastic Fingergrasp Handle
- Pour spouts available
- Gasket: EPDM (Ethylene Propylene Diene Monomer)

WALL THICKNESS

	cm	inch
• Pail	.163	.064
• Gasket Lid (656)	.203	.080
• Snap On Lid (642)	.170	.067

STANDARD WEIGHT (+/- 2%)

	g	lb.
• Pail (with handle)	495	1.09
• Gasket Lid (656)	282	0.62
• Snap On Lid (642)	182	0.40

THERMAL RESISTANCE (Tested with water)

- Filling from 38°C (-36°F) to 82°C (180°F)
- Warehousing from -40°C (-40°F) to 39°C (102°F)

TOP LOADING RESISTANCE

	kg	lb.
• With Gasket Lid	200	440
• With Snap-On Lid	140	308

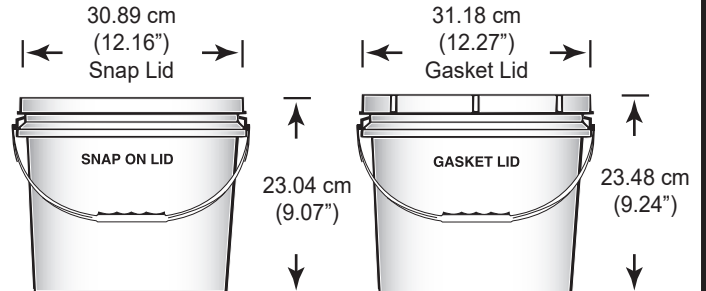
CAPACITIES

VOLUME	Litres	GALLONS	
		Imp.	U.S.
Nominal	11.37	2.50	3.00
Maximum to Overflow	13.09	2.88	3.46
Maximum with Gasket Lid	11.84	2.60	3.13
Maximum with Snap On Lid	12.19	2.68	3.22

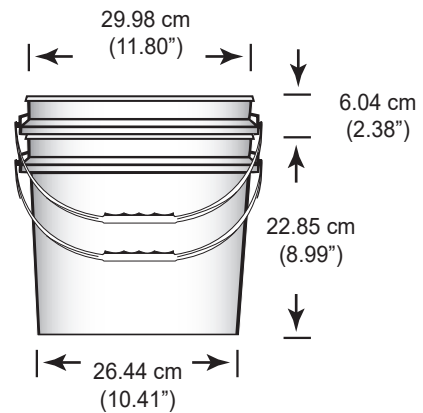
PRODUCT DENSITY g/cm ³	Maximum Weight Filled with Lid			
	GASKET LID		SNAP-ON LID	
	kg	lb	kg	lb
0.5	6.31	13.88	6.43	14.15
0.6	7.57	16.65	7.72	16.98
0.7	8.83	19.43	9.00	19.81
0.8	10.09	22.20	10.29	22.64
0.9	11.35	24.98	11.58	25.47
1.0	12.61	27.75	12.86	28.30
1.1	13.88	30.53	14.15	31.13
1.2	15.14	33.30	15.44	33.96
1.3	16.40	36.08	16.72	36.79
1.4	17.66	38.85	18.01	39.62
1.5	18.92	41.63	19.30	42.45

Above is a guideline only.
Customer should verify with specific product to be packaged.

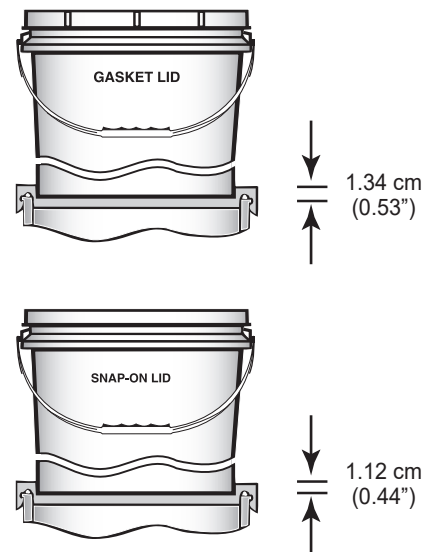
**2.5 Imperial Gallon
HEAVY WALL CONTAINER**



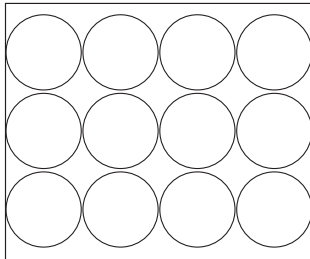
NESTING



STACKING



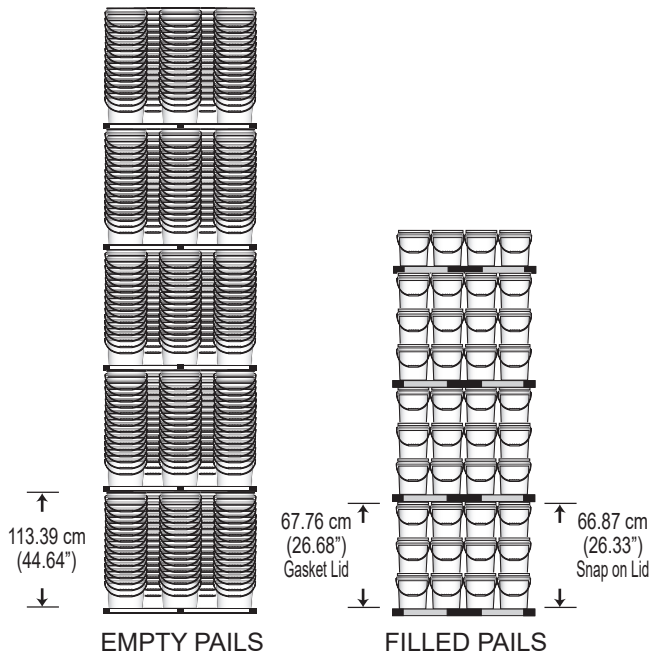
PALLET UTILIZATION



122 cm x 102 cm
(48" x 40")

IMPORTANT: Never let pails overlap edge of pallet

RECOMMENDED STACKING HEIGHT

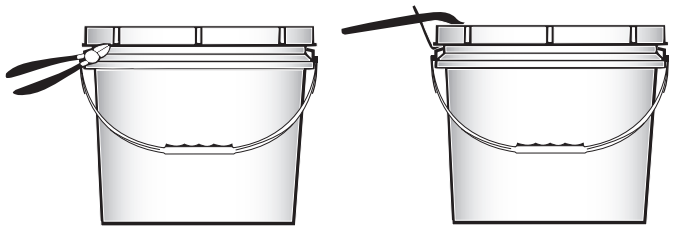


SHIPPING DATA

Quantity	725 PAIL	SNAP LID 642		GASKET LID 656	
	192/pallet	60/box	600/plt	40/box	240/plt
Dimensions*	49.75" x 37.75" x 45.00"	25.75" x 13.00" x 22.50"	49.75" x 37.75" x 36.00"	25.75" x 13.00" x 20.25"	49.75" x 37.75" x 18.00"
Volume	48.91 cu. ft.	4.36 cu. ft.	39.13 cu. ft.	3.92 cu. ft.	19.56 cu. ft.
Weight**	96.54 kg 212.39 lbs	11.92 kg 26.22 lbs	110.70 kg 243.54 lbs	12.13 kg 26.69 lbs	69.18 kg 152.20 lbs

* AND ** DOES NOT INCLUDE WOODEN PALLET
*** BASED ON GASKET LID WITHOUT FITTINGS

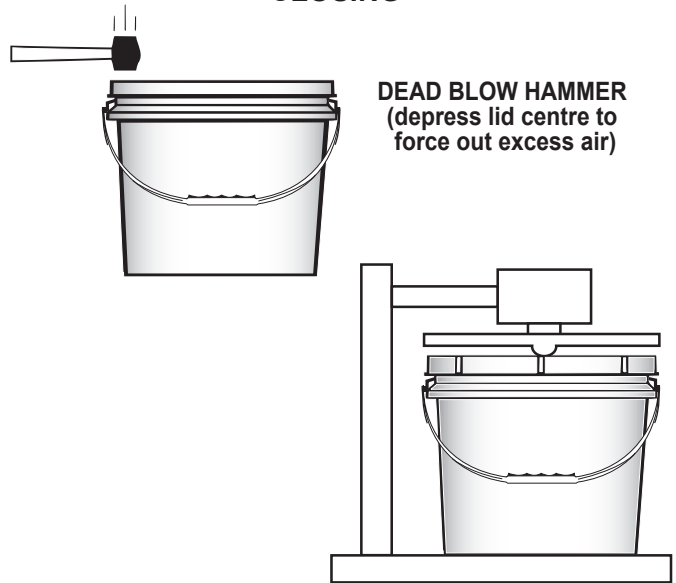
OPENING



Cutters

Lid lifter

CLOSING

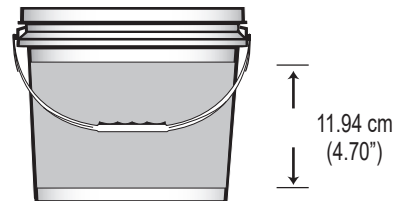


DEAD BLOW HAMMER
(depress lid centre to force out excess air)

CLOSING TOOL

PRINTING

DRY OFFSET PRINTING (UP TO MAXIMUM 4 PANTONE COLORS)



APPROVALS

Pro-Western Plastics Ltd. disclaims any liability for the use of the information and data contained herein. We reserve the right to alter or modify any product and/or specification, at any time.