



**COMPONENTS**

- Material: Food approved high density polyethylene
- Standard Color: White (Other colors on request)
- Plastic Handle
- Gasket: EPDM (Ethylene Propylene Diene Monomer)

**WALL THICKNESS**

- |                              |      |      |
|------------------------------|------|------|
|                              | cm   | inch |
| • Pail                       | .145 | .057 |
| • Gasket Tear Tab Lid (621)  | .135 | .053 |
| • Snap On Tear Tab Lid (622) | .142 | .056 |

**STANDARD WEIGHT (+/- 2%)**

- |                                       |     |      |
|---------------------------------------|-----|------|
|                                       | g   | lb.  |
| • Pail (including handle)             | 261 | 0.57 |
| • Gasket Lid (including gasket) (621) | 87  | 0.19 |
| • Snap On Tear Tab Lid (622)          | 71  | 0.16 |

**THERMAL RESISTANCE (Tested with water)**

- Filling from -38°C (-36°F) to 82°C (180°F)
- Warehousing from -40°C (-40°F) to 39°C (102°F)

**TOP LOADING RESISTANCE**

- |                          |     |     |
|--------------------------|-----|-----|
|                          | kg  | lb. |
| • With Gasket Lid (621)  | 100 | 220 |
| • With Snap-On Lid (622) | 100 | 220 |

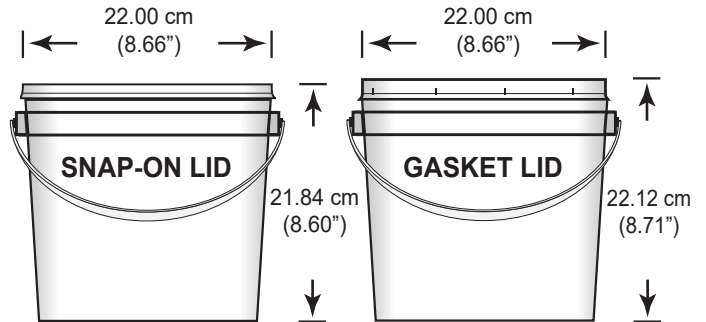
**CAPACITIES**

VOLUME	Litres	GALLONS	
		Imp.	U.S.
Nominal	5.50	1.21	1.45
Maximum to Overflow	6.17	1.36	1.63
Maximum with Gasket Lid	5.77	1.27	1.52
Maximum with Snap-On Lid	5.87	1.29	1.55

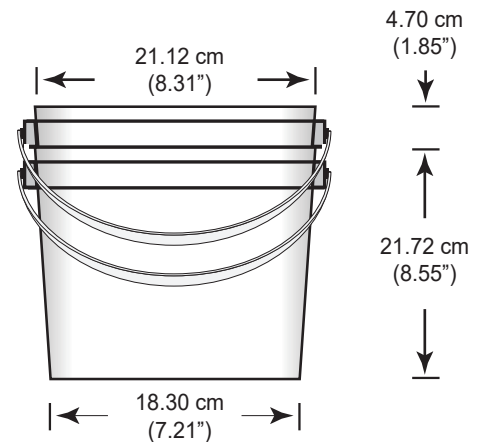
PRODUCT DENSITY g/cm <sup>3</sup>	Maximum Weight Filled with Lid			
	GASKET LID		SNAP-ON LID	
	kg	lb	kg	lb
0.5	3.06	6.72	3.10	6.82
0.6	3.67	8.07	3.72	8.18
0.7	4.28	9.41	4.34	9.54
0.8	4.89	10.76	4.96	10.91
0.9	5.50	12.10	5.58	12.27
1.0	6.11	13.45	6.20	13.63
1.1	6.72	14.79	6.82	15.00
1.2	7.34	16.14	7.44	16.36
1.3	7.95	17.48	8.06	17.72
1.4	8.56	18.83	8.68	19.09
1.5	9.17	20.17	9.30	20.45

Above is a guideline only.  
Customer should verify with specific product to be packaged.

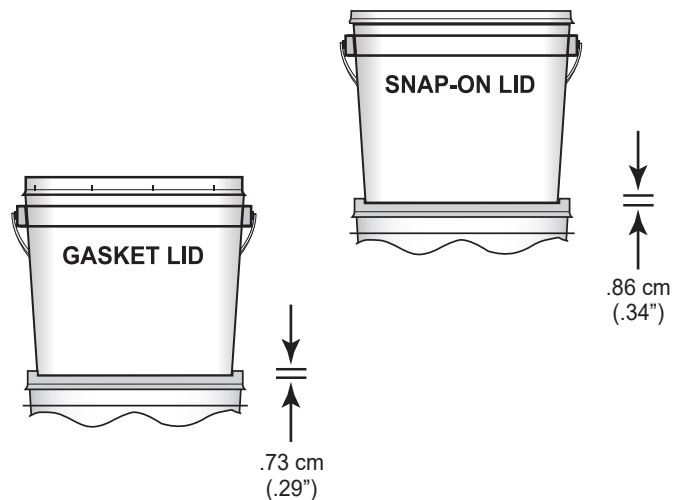
**5.5 LITRE PAIL**



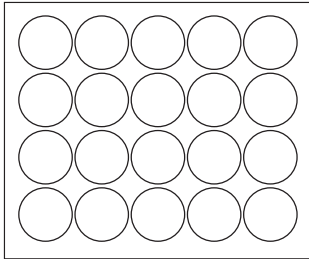
**NESTING**



**STACKING**



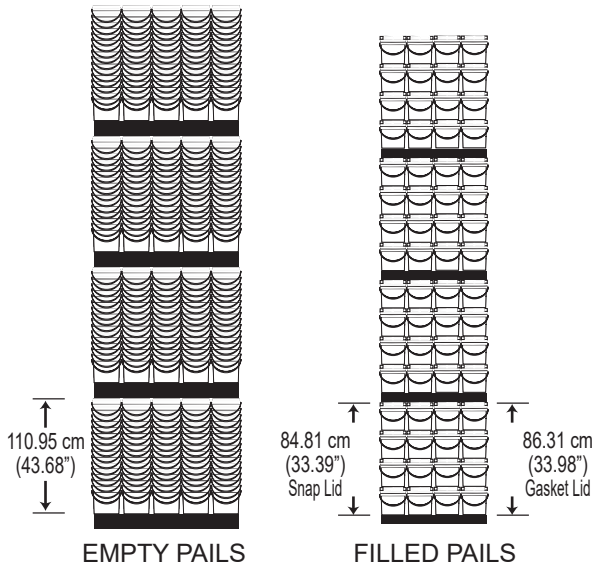
**PALLET UTILIZATION**



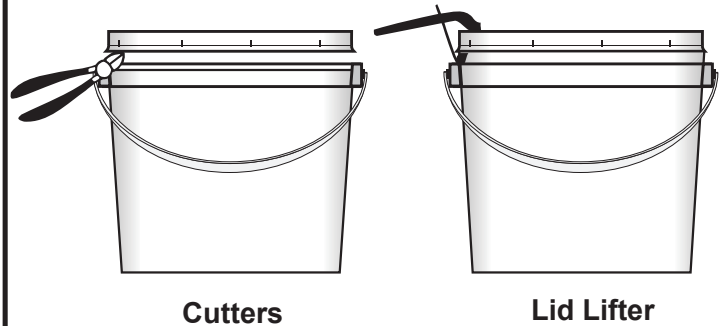
**122 cm x 102 cm  
(48" x 40")**

**IMPORTANT: Never let pails overlap edge of pallet**

**RECOMMENDED STACKING HEIGHT**



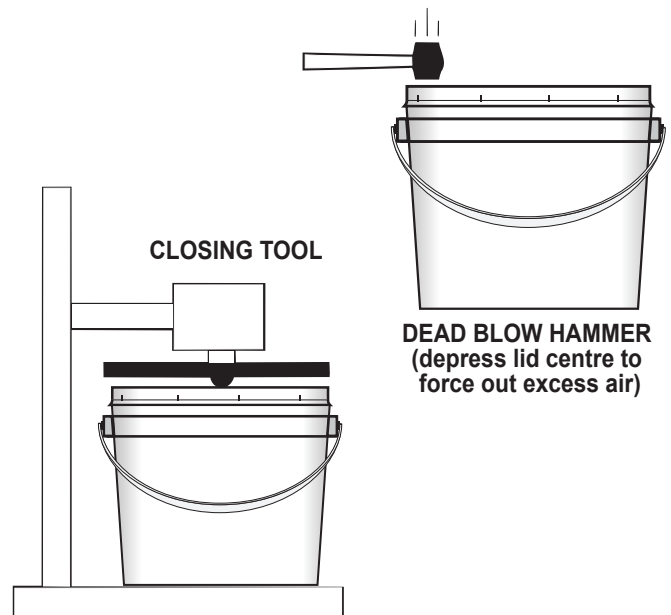
**OPENING**



**Cutters**

**Lid Lifter**

**CLOSING**

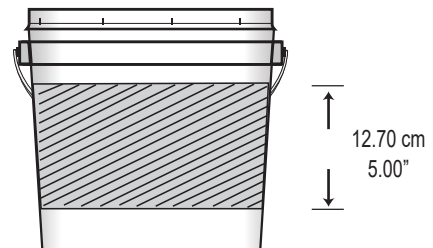


**CLOSING TOOL**

**DEAD BLOW HAMMER  
(depress lid centre to  
force out excess air)**

**PRINTING**

**DRY OFFSET PRINTING (UP TO MAXIMUM 4 PANTONE COLORS)**



**SHIPPING DATA**

	<b>715 PAIL</b>	<b>SNAP TT (622)</b>	<b>SNAP TT (622)</b>	<b>GASKET TT (621)</b>	<b>PAIL &amp; LID (715 PKG)</b>
<b>Quantity</b>	540/pallet	180/box	1440/pallet	180/box	40/box (622 Snap)
<b>Dimensions*</b>	50.50" x 42.50" x 44.00"	24.00" x 20.00" x 11.75"	49.75" x 38.00" x 19.25"	24.00" x 20.00" x 19.00"	18.25" x 18.25" x 32.25"
<b>Volume</b>	54.65 cu. ft.	3.26 cu. ft.	21.06 cu. ft.	5.28 cu. ft.	6.22 cu. ft.
<b>Weight**</b>	142.948 kg 314.47 lbs	13.73 kg 30.20 lbs	103.74 kg 228.23 lbs	16.71 kg 36.76 lbs	14.38 kg 31.64 lbs

\* AND \*\* DOES NOT INCLUDE WOODEN PALLET

**APPROVALS**

Pro-Western Plastics Ltd. disclaims any liability for the use of the information and data contained herein. We reserve the right to alter or modify any product and/or specification, at any time.