



COMPONENTS

- Material: Food approved high density polyethylene
- Standard Color: White (Other colors on request)
- Plastic Handle
- Gasket: EPDM (Ethylene Propylene Diene Monomer)

WALL THICKNESS

	cm	inch
• Pail	.119	.047
• Gasket Lid (621)	.135	.053
• Snap On Lid (622)	.142	.056

STANDARD WEIGHT (+/- 2%)

	g	lb.
• Pail (including handle)	169	.37
• Gasket Lid (621- including gasket)	87	.19
• Snap-On Lid (622)	71	.16

THERMAL RESISTANCE (Tested with water)

- Filling from 38°C (-36°F) to 82°C (180°F)
- Warehousing from -40°C (-40°F) to 39°C (102°F)

TOP LOADING RESISTANCE

	kg	lb.
• With Gasket Lid (621)	95	209
• With Snap-On Lid (622)	100	220

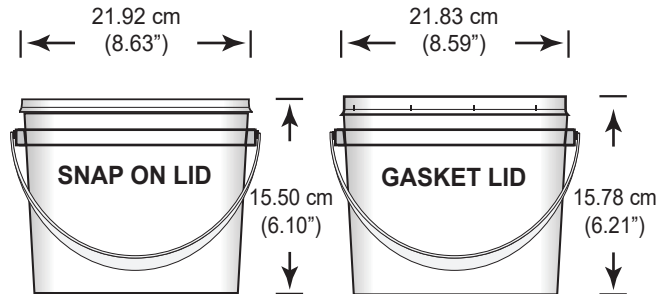
CAPACITIES

VOLUME	Litres	GALLONS	
		Imp.	U.S.
Nominal	4.00	.88	1.06
Maximum to Overflow	4.32	.95	1.14
Maximum with Gasket Lid	3.92	.86	1.04
Maximum with Snap On Lid	4.02	.88	1.06

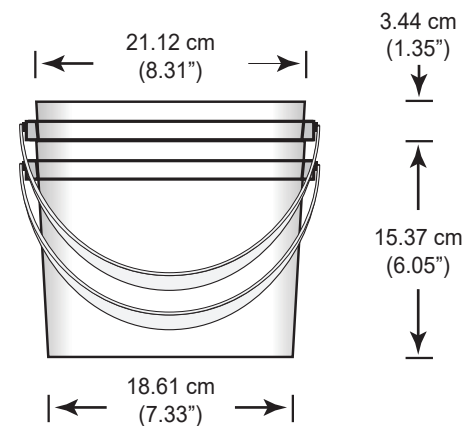
PRODUCT DENSITY g/cm ³	Maximum Weight Filled with Lid			
	GASKET		SNAP-ON	
	kg	lb	kg	lb
0.5	2.09	4.60	2.13	4.69
0.6	2.51	5.51	2.56	5.63
0.7	2.92	6.43	2.98	6.56
0.8	3.34	7.35	3.41	7.50
0.9	3.76	8.27	3.84	8.44
1.0	4.18	9.19	4.26	9.38
1.1	4.60	10.11	4.69	10.31
1.2	5.01	11.03	5.11	11.25
1.3	5.43	11.95	5.54	12.19
1.4	5.85	12.87	5.97	13.13
1.5	6.27	13.79	6.39	14.06

Above is a guideline only.
Customer should verify with specific product to be packaged.

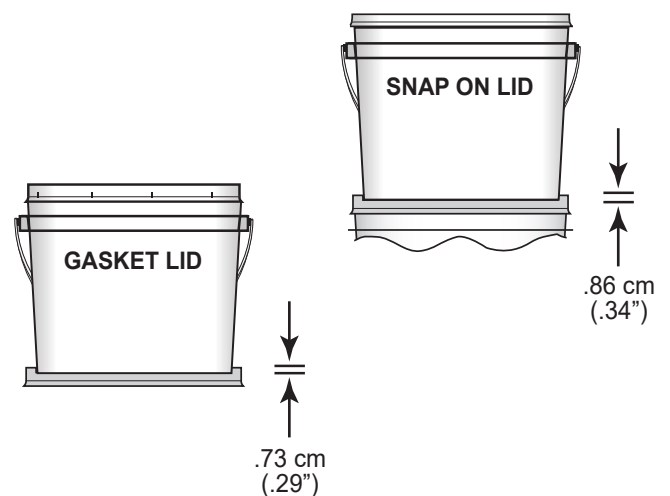
HEAVY DUTY 4 LITRE



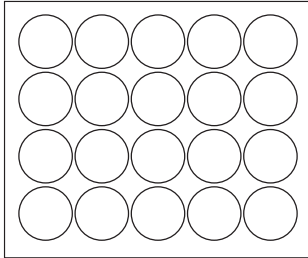
NESTING



STACKING



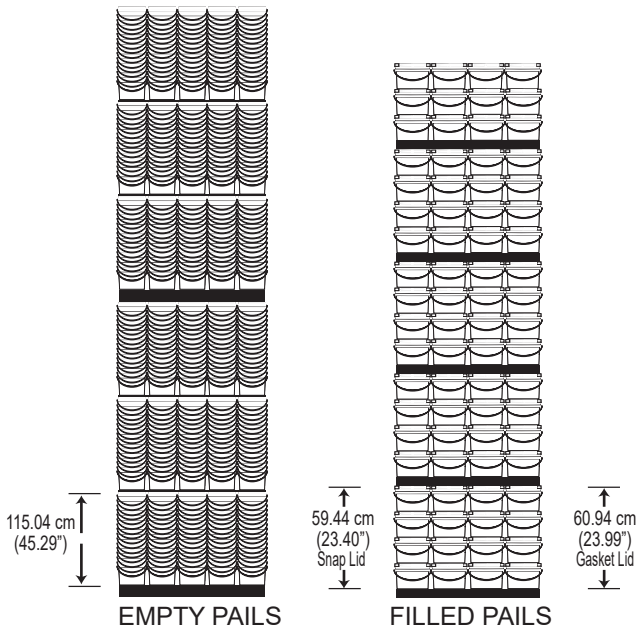
PALLET UTILIZATION



**122 cm x 102 cm
(48" x 40")**

IMPORTANT: Never let pails overlap edge of pallet

RECOMMENDED STACKING HEIGHT



EMPTY PAILS

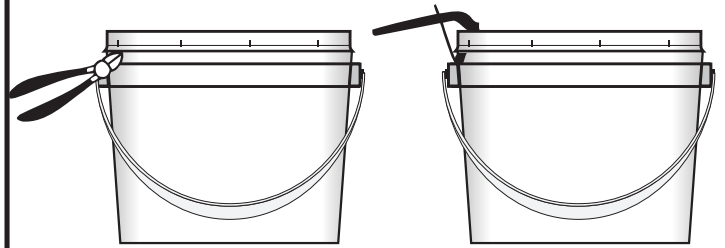
FILLED PAILS

SHIPPING DATA

	709 PAIL	SNAP TT (622)	SNAP TT (622)	GASKET TT (621)	PAIL & LID (709 PKG)	PAIL & LID (709 PKG)
Quantity	720/pallet	180/box	1440/pallet	180/box	65/box (622 Snap)	60/box (621 Gasket)
Dimensions*	49.75" x 38.00" x 45.75"	24.00" x 20.00" x 11.75"	49.75" x 38.00" x 19.25"	24.00" x 20.00" x 19.00"	18.25" x 18.25" x 32.25"	18.25" x 18.25" x 32.25"
Volume	50.05 cu. ft.	3.26 cu. ft.	21.06 cu. ft.	5.28 cu. ft.	6.22 cu. ft.	6.22 cu. ft.
Weight**	123.18 kg 271.00 lbs	13.73 kg 30.20 lbs	103.74 kg 228.23 lbs	16.71 kg 36.76 lbs	16.70 kg 36.74 lbs	16.46 kg 36.21 lbs

* AND ** DOES NOT INCLUDE WOODEN PALLET

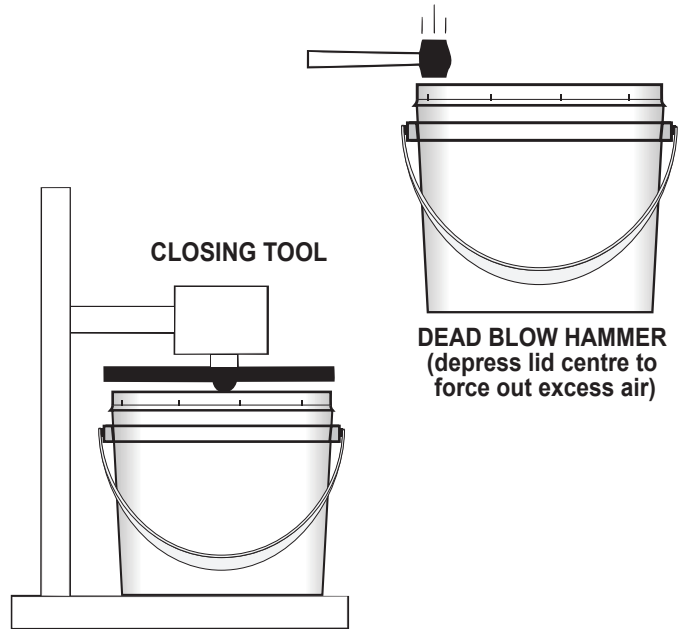
OPENING



Cutters

Lid Lifter

CLOSING

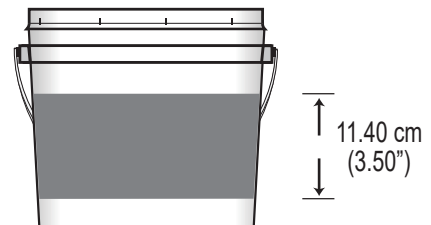


CLOSING TOOL

DEAD BLOW HAMMER
(depress lid centre to force out excess air)

PRINTING

DRY OFFSET PRINTING (UP TO MAXIMUM 4 PANTONE COLORS)



APPROVALS

Pro-Western Plastics Ltd. disclaims any liability for the use of the information and data contained herein. We reserve the right to alter or modify any product and/or specification, at any time.