



COMPONENTS

- Material: Food approved high density polyethylene
- Standard Color: White, Natural
(Other colours on request)

WALL THICKNESS

- | | | |
|---------------------|------|------|
| | cm | inch |
| • Container | .137 | .054 |
| • Snap-On Lid (603) | .135 | .053 |

STANDARD WEIGHT (+/- 2%)

- | | | |
|---------------------|-----|-----|
| | g | lb. |
| • Container | 177 | .39 |
| • Snap-On Lid (603) | 94 | .21 |

THERMAL RESISTANCE (Tested with water)

- Filling from 38°C (-36°F) to 82°C (180°F)
- Warehousing from -40°C (-40°F) to 39°C (102°F)

TOP LOADING RESISTANCE

- | | | |
|--------------------------|----|-----|
| | kg | lb. |
| • With Snap-On Lid (603) | 31 | 68 |

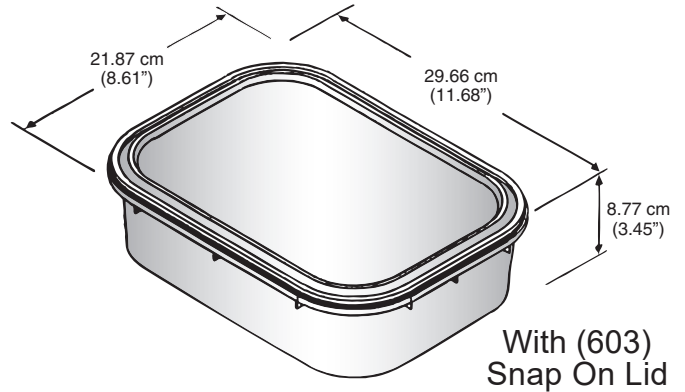
CAPACITIES

| VOLUME | Litres | GALLONS | |
|--------------------------|--------|---------|------|
| | | Imp. | U.S. |
| Nominal | 3.00 | .66 | 0.79 |
| Maximum to Overflow | 4.13 | .91 | 1.09 |
| Maximum with Snap-On Lid | 3.83 | .84 | 1.01 |

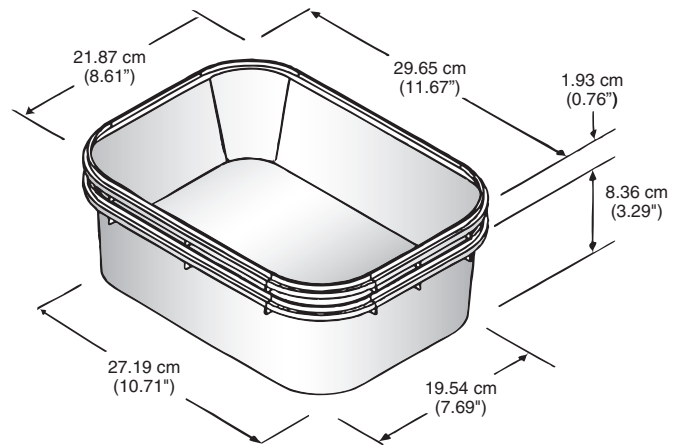
| PRODUCT DENSITY g/cm ³ | Maximum Weight Filled with Lid Snap On | |
|--------------------------------------|---|-------|
| | kg | lb |
| 0.5 | 2.05 | 4.51 |
| 0.6 | 2.46 | 5.41 |
| 0.7 | 2.87 | 6.32 |
| 0.8 | 3.28 | 7.22 |
| 0.9 | 3.69 | 8.12 |
| 1.0 | 4.10 | 9.02 |
| 1.1 | 4.51 | 9.92 |
| 1.2 | 4.92 | 10.83 |
| 1.3 | 5.33 | 11.73 |
| 1.4 | 5.74 | 12.63 |
| 1.5 | 6.15 | 13.53 |

Above is a guideline only.
Customer should verify with specific product to be packaged.

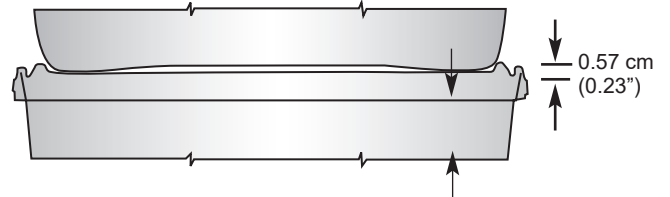
**TAMPER EVIDENT
RECTANGULAR CONTAINER**



NESTING

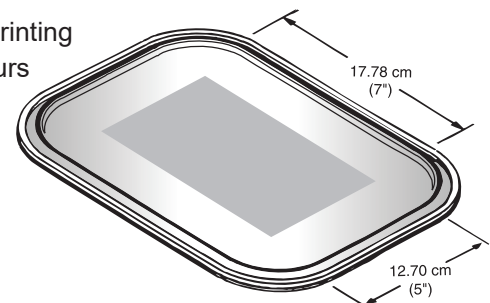


STACKING

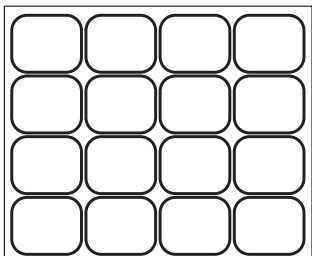


PRINTING

Dry Offset Printing
up to 4 colours



MAXIMUM PALLET UTILIZATION



122 cm x 102 cm
(48" x 40")

IMPORTANT: Never let pails overlap edge of pallet

SHIPPING DATA

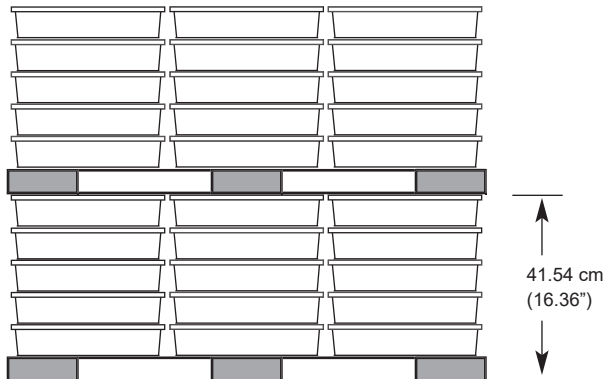
| | 403 CONTAINER | SNAP ON LID (603) |
|--------------------|-----------------------------|-----------------------------|
| Quantity | 720/pallet | 1440/pallet |
| Dimensions* | 50.50" x 35.50" x 37.00" | 50.50" x 35.50" x 21.00" |
| Volume | 38.39 cu. ft. | 21.79 cu. ft. |
| Weight** | 129.14 kg 284.11 lbs | 137.06 kg 301.53 lbs |

* AND ** DOES NOT INCLUDE WOODEN PALLET

APPROVALS

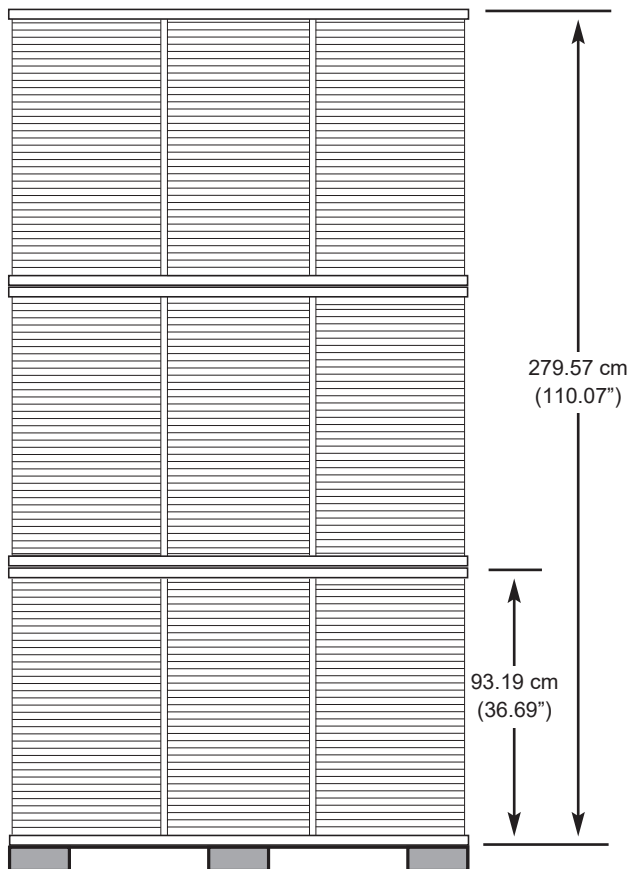
Pro-Western Plastics Ltd. disclaims any liability for the use of the information & data contained herein. We reserve the right to alter or modify any product &/or specification, at any time.

RECOMMENDED STACKING HEIGHT



Filled Containers

Maximum: 10 high
5 containers high per pallet



Empty Containers

IMPORTANT:
Never let container overlap the edge of the pallet